

# PAR LIGHTING

PAR56

PAR64

PAR64-AL

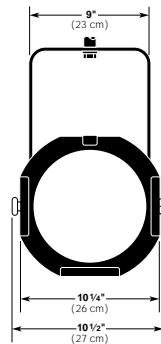
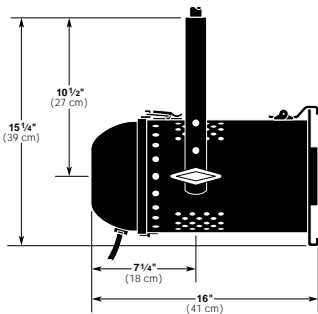
The PAR64 is a low cost, versatile luminaire designed for diverse applications. Intensities and beam spread are a function of the lamp selected for use in the fixture. One unit can serve multiple purposes simply by changing the lamp. The smaller size of the PAR56 offers maximum flexibility, while the PAR64's optional Par56/64 adapter ring allows for the use of the Par 56 lamps. With an oval shaped beam and a lamp range from 300 to 500 watts for the PAR56, and 300 to 1000 watts for the PAR64, they are ideal for use in concerts, nightclubs, television and film remotes and architectural applications where maximum flexibility is desired in a small compact package. The PAR64-AL is identical to the PAR64 with the exception that it is constructed of .050 gauge rolled aircraft aluminum to minimize weight without sacrificing durability.

Specifications subject to change without notice

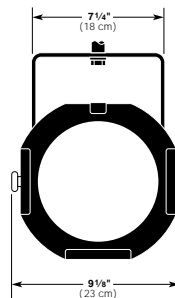
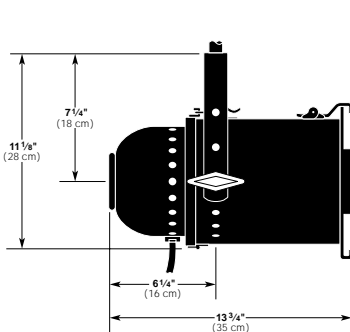


PAR 56

PAR 64



PAR 64  
PAR 64 - AL



PAR 56

300 - 1000 WATT PAR 64

300 - 1000 WATT PAR 64 - AL

300 - 500 WATT PAR 56

## Features

- PAR56 and PAR64 constructed of rugged sheet steel
- PAR64-AL constructed of rolled aircraft aluminum
- 360° lamp rotation
- Three 36" Teflon lead wires
- Up to 25' high temperature rubber cable optional
- Plated steel color frame included
- 3 position yoke adjustment
- Spring loaded accessory holder safety latch
- Hinged rear cover for easy lamp access
- Mogul end prong socket
- Wire mesh safety screen included with PAR 64 & PAR 64-AL
- PAR56 is U.L. and c.U.L. listed for 500 watts w/36" Teflon lead wires
- PAR64 and PAR64-AL are U.L. and c.U.L. listed for 1000watts w/36" Teflon lead wires

# Catalog Numbers

## PAR 64

## PAR 64 - AL

## PAR 56

ACCESSORIES Supplied with Luminaire	
6-CF	Color Frame, 7 1/2' x 7 1/2' for PAR56
8-CF	Color Frame, 10" x 10" for PAR64 and PAR64-AL

ADDITIONAL ACCESSORIES for PAR 64 and PAR 64 - AL	
8-CFB	Black Color Frame, 10" X 10"
510	Malleable Iron Pipe Clamp
SC	Safety Cable with Spring Clip
8-BD-4	4-Way Barn Door
8-SN	Snoot
195A-8	Color Wheel
404-8	Motorized Color Wheel
PAR56	
/64-AR	Adaptor Ring

ADDITIONAL ACCESSORIES for PAR 56	
6-CFB	Black Color Frame, 7 1/2' x 7 1/2'
510	Malleable Iron Pipe Clamp
SC	Safety Cable with Spring Clip
6-BD-4	4-Way Barn Door
6-SN	Snoot
195A-6	Color Wheel
404-6	Motorized Color Wheel

### SPECIFICATIONS

**MATERIALS:** Construction employs corrosion-resistant materials and hardware.

**HOUSING:** PAR56 and PAR64 are constructed of spun, rolled, and stamped steel. PAR64-AL is constructed of spun, rolled, and stamped aluminum

**YOKE:** Rigid flat steel for PAR56 and PAR64, Rigid flat aluminum for PAR64-AL.

**RATING:** 120/240 volts AC/DC operation, 4.2/2.1 amps, 500 watts maximum for PAR56, and 8.3/4.2 amps, 1000watts maximum for PAR64.

**SOCKET:** Mogul end prong, toolless relamping.

**CABLE:** 36" Teflon leads encased in black fiberglass sleeving, rear cord wrap provided. High temperature rubber cable optional, up to 25'.

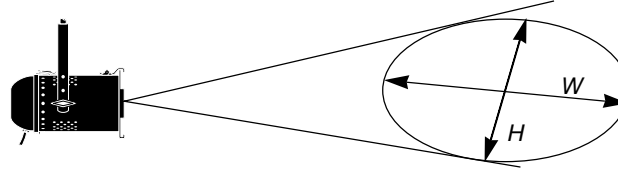
**FOCUSING:** Lamp can be rotated 360°.

**FINISH:** Baked black enamel, electrostatic application for PAR56 and PAR64, PAR64-AL has brushed aluminum finish outside, flat baked black enamel inside.

**ACCESSORIES:** PAR56 accepts standard 7 1/2' x 7 1/2' accessories. PAR64 and PAR64-AL accept 10"X10" accessories. Wire mesh safety screen installed in PAR 64 and PAR 64-AL.

**WEIGHT:** Approx. 9lbs.for PAR56, Approx. 11lbs.for PAR64, and Approx. 8lbs.for PAR64-AL.

### Spotlight / Floodlight



### PAR 56 and PAR64 LAMP DATA

Watts	ANSI Code	Manufacturer Lamp Code	Color Rated Temp (°K)	Rated Life (Hours)	Beam Lumens	Beam Shape	Candlepower (Candela)	Beam Angle (Degrees)	Field Angle (Degrees)
1000	FFN	Q1000 PAR64/1	3200	600	11,000	VNSP	400,000	6 x 12	10 x 24
1000	FFP	Q1000 PAR64/2	3200	600	12,000	NSP	330,000	7 x 14	14 x 26
1000	FFR	Q1000 PAR64/5	3200	600	14,000	MFL	125,000	12 x 28	21 x 44
1000	FFS	Q1000 PAR64/6	3200	600	19,000	WFL	40,000	24 x 40	45 x 71
1000	—	Q1000 PAR64/NSP	3000	4000	8,500	NSP	100,000	8 x 15	14 x 31
1000	—	Q1000 PAR64/MFL	3000	4000	10,000	MFL	80,000	12 x 20	22 x 45
1000	—	Q1000 PAR64/WFL	3000	4000	13,500	WFL	33,000	24 x 48	45 x 72
500	—	500 PAR64/NSP	2800	2000	3,000	NSP	110,000	7 x 12	13 x 20
500	—	500 PAR64/MFL	2800	2000	3,400	MFL	35,000	11 x 13	20 x 36
500	—	500 PAR64/WFL	2800	2000	3,500	WFL	12,000	20 x 42	35 x 65
500	—	Q500 PAR56/NSP	3000	4000	4,900	NSP	96,000	8 x 13	15 x 32
500	—	Q500 PAR56/MFL	3000	4000	5,700	MFL	43,000	10 x 26	20 x 42
500	—	Q500 PAR56/WFL	3000	4000	5,725	WFL	19,000	20 x 44	34 x 66
300	—	300 PAR56/NSP	2800	2000	1,800	NSP	70,000	8 x 10	15 x 20
300	—	300 PAR56/MFL	2800	2000	2,000	MFL	24,000	11 x 23	20 x 35
300	—	300 PAR56/WFL	2800	2000	2,100	WFL	10,000	18 x 37	30 x 60

### PAR56 & PAR64 LAMP PERFORMANCE CHART

Distance	10'			20'			30'			40'			50'			60'		
	Center Beam F.C.	H	W	Center Beam F.C.	H	W	Center Beam F.C.	H	W	Center Beam F.C.	H	W	Center Beam F.C.	H	W	Center Beam F.C.	H	W
Q1000 PAR64/1	4000	1.8	4.3	1000	3.5	8.5	445	5.3	12.8	250	7.0	17.0	160	8.9	21.3	111	10.5	25.5
Q1000 PAR64/2	3,300	2.5	4.6	825	4.9	9.2	367	7.4	13.9	206	9.8	18.5	132	12.3	23.1	92	14.8	27.7
Q1000 PAR64/5	1,250	3.7	8.0	313	7.4	16.2	139	11.1	24.3	78	14.5	32.3	50	18.5	40.4	35	22.2	48.5
Q1000 PAR64/6	400	8.3	14.3	100	16.6	28.5	44	24.9	42.8	25	33.0	57.0	16	41.4	71.3	11	49.7	85.6
Q1000 PAR64/NSP	1,800	7.5	5.5	450	4.9	11.1	200	7.4	16.6	113	9.8	22.0	72	12.3	27.7	—	—	—
Q1000 PAR64/MFL	800	3.9	8.3	200	7.8	16.6	89	11.7	24.9	50	15.6	33.1	32	19.4	41.4	—	—	—
Q1000 PAR64/WFL	330	8.3	14.5	83	16.6	20.1	37	24.9	43.6	21	33.1	58.1	13	41.4	72.7	—	—	—
500 PAR64/NSP	1,100	2.3	3.5	275	4.6	7.1	122	6.8	10.6	69	9.1	14.1	44	11.4	17.6	—	—	—
500 PAR64/MFL	350	3.5	6.3	88	7.1	12.6	80	10.6	18.9	22	14.1	25.2	14	17.6	31.5	—	—	—
500 PAR64/WFL	120	6.3	12.7	30	12.6	25.5	13	18.9	38.2	8	26.2	51.0	5	31.5	63.7	—	—	—
Q500 PAR56/NSP	960	2.6	5.7	240	5.3	11.5	107	7.9	17.2	60	10.5	22.9	30	15.2	28.7	—	—	—
Q500 PAR56/MFL	430	3.5	7.7	108	7.1	15.4	48	10.6	23.0	27	14.1	30.7	17	17.6	38.4	—	—	—
Q500 PAR56/WFL	190	6.1	13.0	48	12.2	26.0	21	18.3	39.0	12	24.5	52.0	8	30.6	65.0	—	—	—
300 PAR56/NSP	700	2.6	3.5	175	5.3	7.1	78	7.9	10.6	44	10.5	14.1	—	—	—	—	—	—
300 PAR56/MFL	240	3.5	6.3	60	7.1	12.6	27	10.6	18.9	15	14.1	25.2	—	—	—	—	—	—
300 PAR56/WFL	100	5.4	11.5	25	10.7	23.1	11	16.1	34.6	6	21.4	46.2	—	—	—	—	—	—