



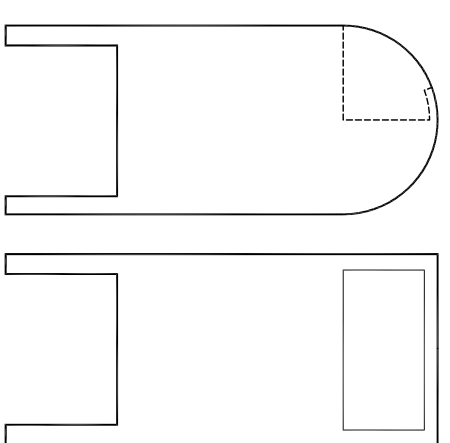
**DRESSING TABLE**  
THIS RIDES ON THE SL ALCOVE WAGON. IT HAS ONE STOOL WITH IT. IT CAN BE STOCK. IT SHOULD LOOK A LITTLE RUSTIC AND BE ABOUT 30"H x 48"W x 20"D.



WE NEED A KITCHEN TABLE SIMILAR IN STYLE TO THIS. IDEALLY IT WOULD BE SQUARE, MEASURING 28 INCHES PER SIDE AND 30 INCHES TALL. I AM OPEN TO RECOMMENDATIONS FROM STOCK. TWO SIMPLE WOODEN STOOLS 18" HIGH WILL SERVE IN LIEU OF CHAIRS.



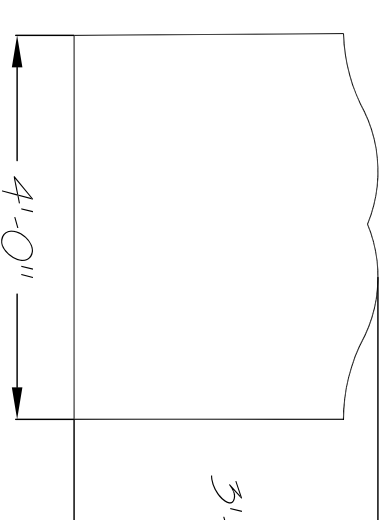
THIS LECTURN IS 48" HIGH ON THE HIGH EDGE AND 42" AT THE LOW EDGE. IT SHOULD LOOK LIKE RECLAIMED BARNWOOD. THE PRODUCT SHOWN IS 23.20 x 16.75 x 48.00 IN. I AM OPEN TO MODIFYING STOCK IF YOU HAVE SOMETHING SIMILAR.



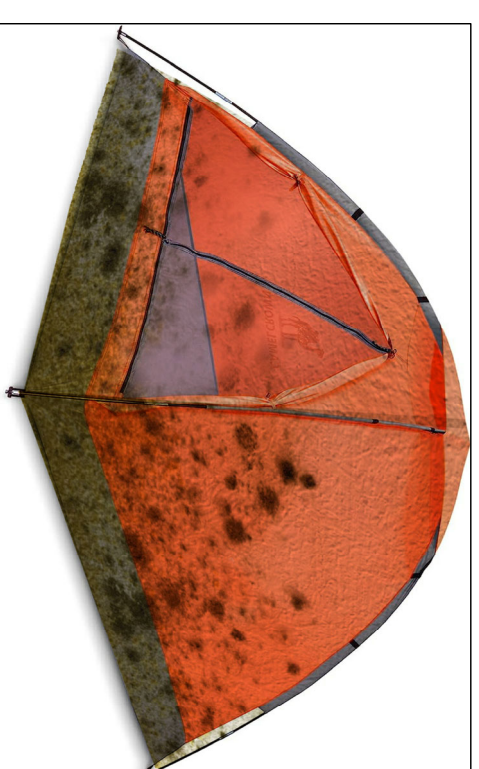
THE MAILBOX LOOKS VERY VERY OLD AND IS RUSTY. AT THIS TIME THERE IS NO SPECIFIC BUSINESS PLANNED FOR IT. SCOTT MIGHT HAVE IDEAS, BUT CURRENTLY THERE IS NO NEED FOR IT TO OPEN.



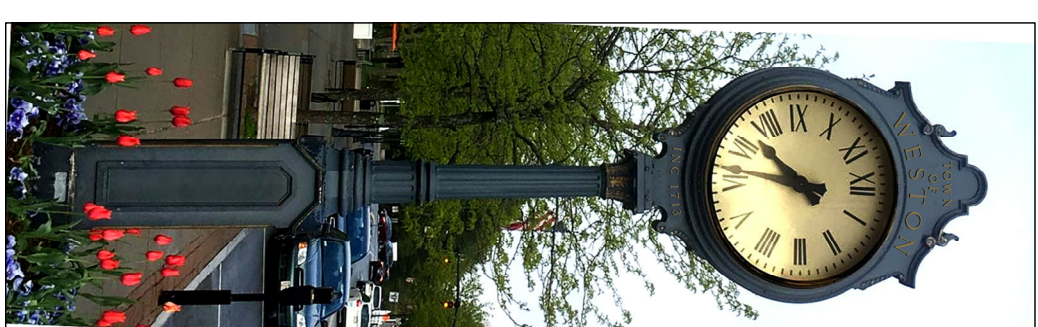
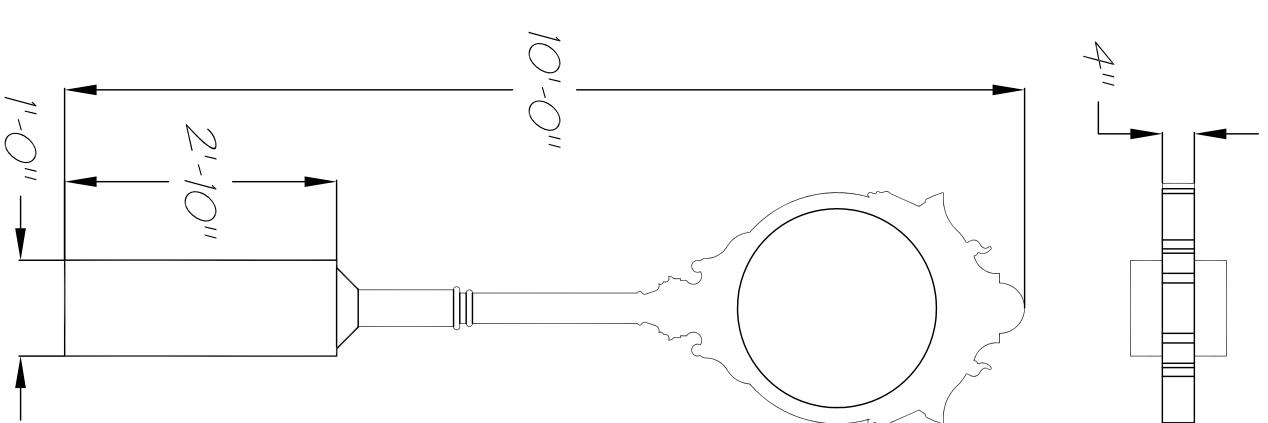
THIS SIGN IS A RELIC. IT WOULD ORIGINALLY HAVE BEEN ABOUT 18"x77". IT SHOULD BE BENT UP. IT SHOULD LOOK LIKE AN OLD METAL SIGN. IT COULD BE PAINTED ON FLASHING. ALTERNATIVELY IT COULD BE ON MASONITE AND DISTRESSED RATHER THAN BEING BENT UP.



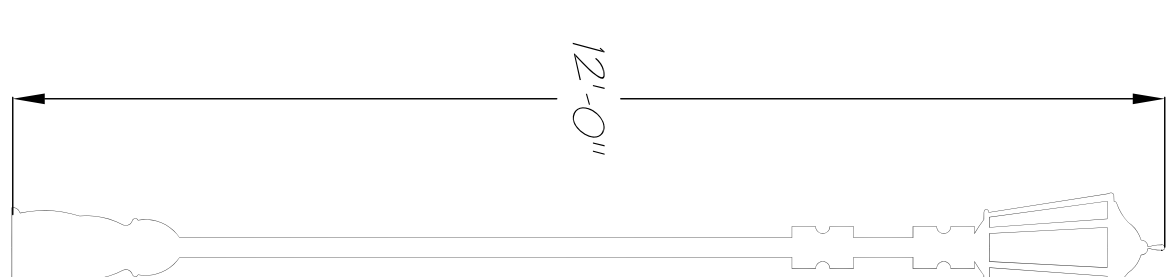
VERY OLD "ENTERING WESTON" SIGN THIS CAN BE PRINTED AND GLOUED TO MASONITE OR LUMI OR IT CAN BE PAINTED. NOTE THAT IF PRINTED SIDEWAYS IT FITS ON YOUR LARGE PRINTER. :)



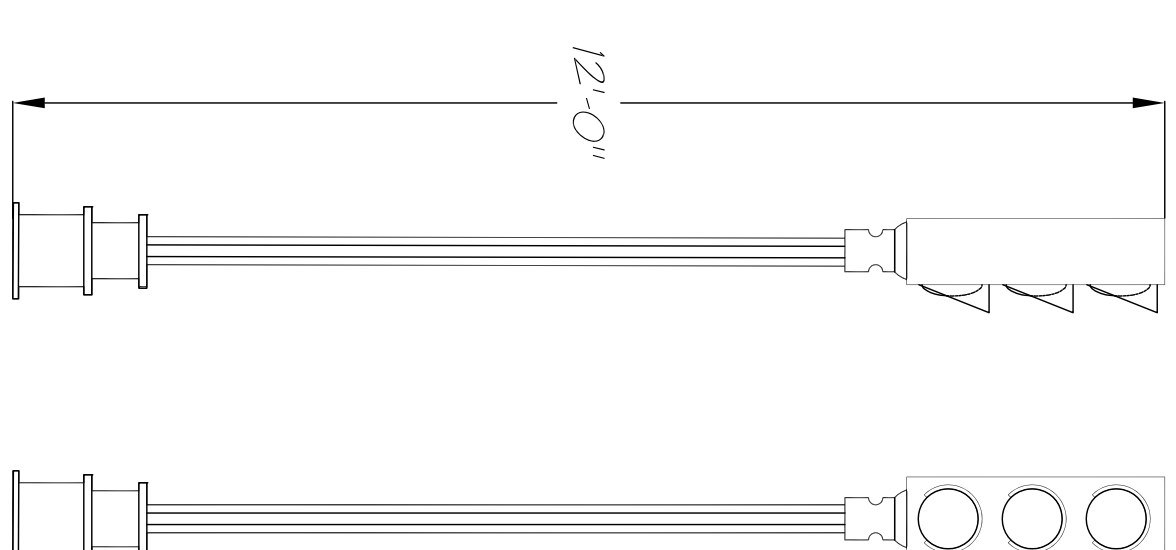
**CAMPING TENT**  
THIS SPECIFIC TENT IS ON AMAZON. SEARCH FOR "CAMEL CROWN." IT IS \$32. THIS WILL RIDE ON EITHER THE 4'x2" WAGON US OR THE SR ALCOVE WAGON. IT WILL BE INTERNALLY LIT.



WE'RE MAKING A SLIGHTLY SIMPLIFIED AND MODIFIED VERSION OF THIS CLOCK THAT STANDS IN WELLSLEY, MA. I SET THE CLOCK FACE AN INCH OR TWO. IT CAN BE PRINTED ON PAPER. THE LETTERING ON THE BODY OF THE CLOCK MIGHT BE STOCK - ON MAILBOX LETTERS OR STENCILED.

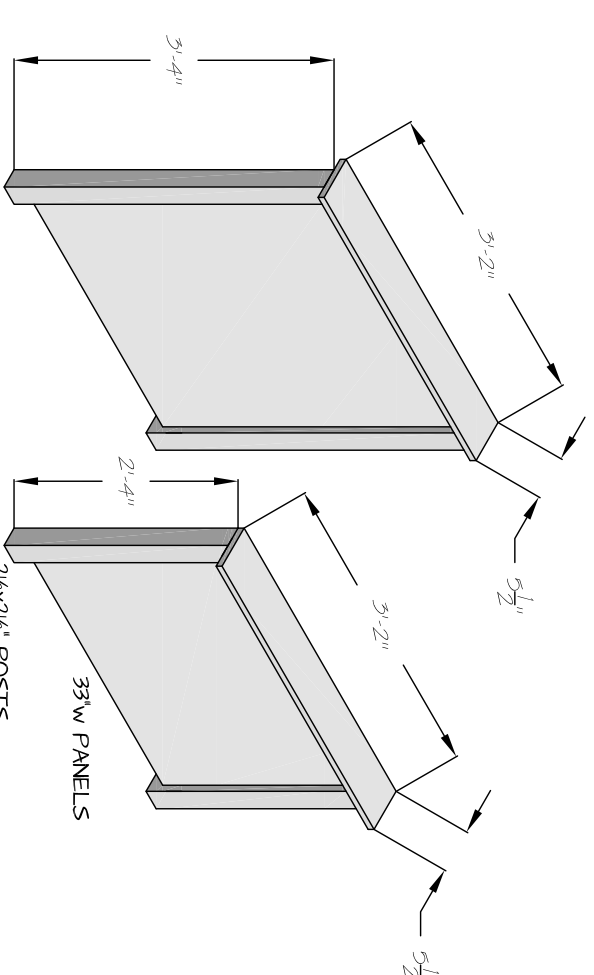


THIS LAMPPOST WAS ONCE BLACK AND SHINY, BUT IS NOW COVERED IN RUST SPOTS. IT CAN STILL LIGHT UP A LITTLE FEELBY. THE TOP IS SIX-SIDED. THE POST IS ROUND AND INCLUDES THE PROFILE DETAILS SHOWN. THESE CAN VARY A LITTLE FROM THIS DRAWING IF STOCK OR EASILY PURCHASED COMPONENTS ARE AVAILABLE THAT ARE SIMILAR.



THIS TRAFFIC LIGHT DOES NOT FUNCTION. IT IS AN ARTIFACT FROM AN EARLIER TIME. IT IS RUSTY LIKE THE LAMPPOST. THE LENSES SHOULD BE ABOUT 8" DIA. AND SHOULD LOOK SIMILAR TO PAR LAMPS OR FRESNEL LENSES. THE POST IS ROUND WITH PROFILES AS SHOWN. USE THE STOCK LAMPPOST FOR THE POST (OCTAGONAL POLE MADE FROM 2X). ADD SOME SORT OF DOO - DAD AT THE TOP JUST BELOW THE LIGHTS AS SHOWN.

PLATFORM OR MATTRESS IS 38"Wx75"Lx24"H USE A STANDARD TWIN FRAME OR MAKE A PADDED PLATFORM. BEDDOLTHES SHOULD LOOK BE SEPIA - TONE SHEETS AND PILLOWS WITH A HEAVY KNITTED COMFORTER IN A DARK EARTH TONE.



NOTE THAT THERE IS A FAKE AC OUTLET STICKING UP FROM THE WAGON NEAR THE HEADBOARD. THIS IS FOR THE CHARACTER OF HANK TO PLUG IN (HE IS A ROBOT). THIS OUTLET CAN BE MOUNTED TO THE BED.



**WELLESLEY GIRL**  
by Brendan Peisue  
Directed by Scott Phillips  
Scenic Design by Matt Krzer  
Technical Director: Matt Gisi  
September, 2024

**SET PROPS**  
SCALE: 1/2" = 1'-0"  
UPDATED JULY 3 • 2024

PLATE  
**5**  
OF 6